

Ref: RA/II/002/17-18/1579

1st June 2017

To,
The Secretary
West Bengal Electricity Regulatory Commission
FD-415 A, Poura Bhawan, 3rd Floor,
Sector-III, Bidhannagar,
Kolkata- 700106

- Sub:
1. Application for 'in-principle clearance' from the Hon'ble Commission for 220/132/33/11kV infrastructural Development at Kalyaneswari, Burdwan district and 220/132/33/11/0.4kV infrastructural development in and around Andal / BAPL / Patswara/ Kajora area, Burdwan District.
 2. Application for 'In-principle clearance' from WBERC for construction of 3-phase, 132 KV Double Circuit Transmission Line from J K Nagar to Railways Traction Feeding Point at Pandabeswar.
- Ref:
1. Our DPR in Case No. WBERC/OA-241/16-17
 2. Our DPR in Case No. WBERC/OA-230/16-17

Respected Sir,

As advised by Shri Abhijit Bose, Advisor (Engineering) of the Hon'ble Commission, we are hereby submitting Single Line Diagram of our existing & proposed T&D system in our area of supply alongwith the corresponding load.

The Hon'ble Commission is humbly requested to acknowledge the receipt of the above-mentioned submission.

In case of any further clarification required by the Hon'ble Commission, we are ready to provide the same.

Thanking You.

Yours Sincerely
For India Power Corporation Limited

Karn Pallav

Karn Pallav
Deputy General Manager (Regulatory Affairs)



India Power Corporation Limited

(Formerly DPSC Limited)

CIN - L40105WB1919PLC003263

Registered Office : Plot No. X1 - 2 & 3, Block - EP, Sector - V, Salt Lake City, Kolkata - 700091

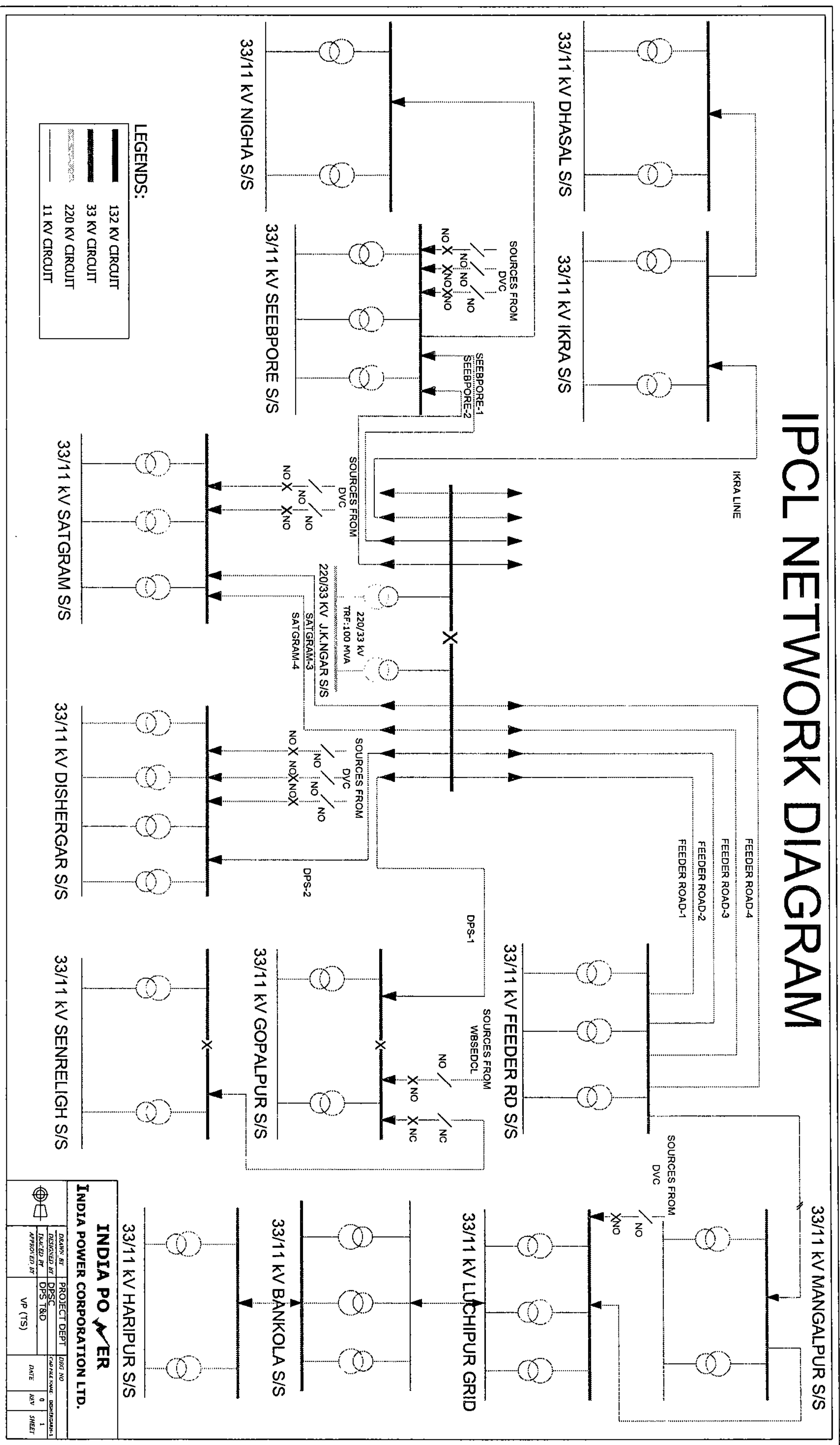
Ph : +91 33 6609 4300 / 08 / 09 / 10 , Fax : +91 33 2357 2452

Central Office : Sanctoria, P.O. - Dishergarh, District - Burdwan, Pin - 713333 (W.B.)

Ph : (0341) 6600452 / 454 / 455 / 456 / 457 Fax : (0341) 6600464



IPCL NETWORK DIAGRAM



INDIA POWER CORPORATION LTD.			
INDIA POWER CORPORATION LTD.		INDIA POWER CORPORATION LTD.	
DESIGNED BY	PROJECT DEPT	DWG NO	DATE
DPS	TRD	0	08/05/2011
APPROVED BY	VP (TS)	DATE	SHEET
			1

IPCL NETWORK DIAGRAM

